

## ELISA Plates

### Description

ELISA Plates, 8 wells strip x12 or 12 wells strip x8, Detachable frame

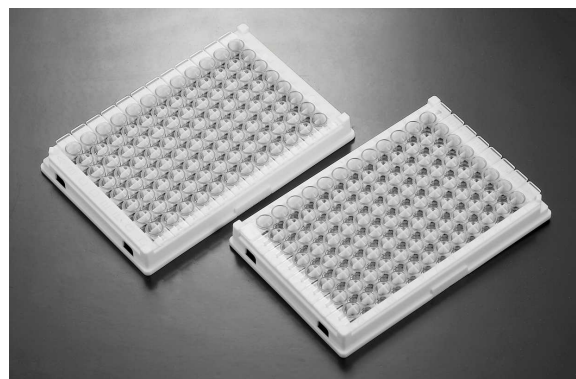
### Purpose

ELISA Plates are optimal products for ELISA and provide reliable performance in binding assays when consistent coating of wells is required

### Materials

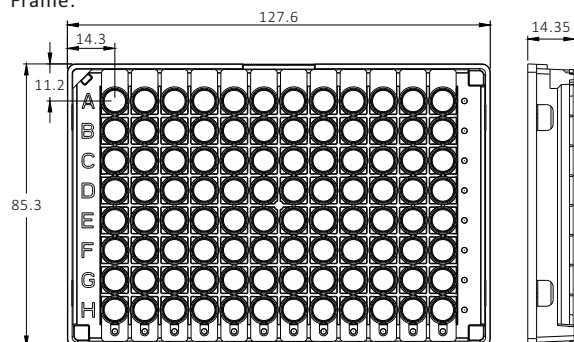
Strip: GPPS (General Polystyrene)

Frame: HIPS (High Impact Polystyrene)      Color: White

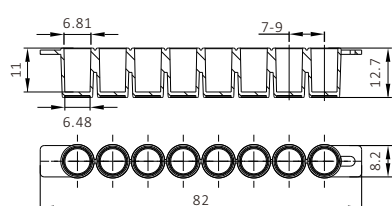


### Dimensions (Unit: mm)

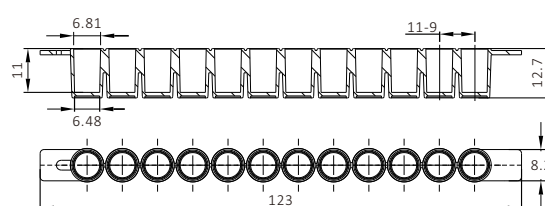
Frame:



8 wells strip:



12 wells strip:



### Features

- Available with 2 different protein binding capability well surface
- 8 or 12 wells strip and 96 well detachable frames are supplied in order to satisfy different sample quantity and economize coat
- Well surface is uniform, smooth and free from striation to eliminate error
- CV of transmittance is less than 5.00%
- Wells are labeled with alphanumeric code for easy identification
- DNase/RNase free and non-pyrogenic
- Sterilized by irradiation SAL10<sup>-6</sup> (ISO11137)
- Shelf Life: 3 years after month of production
- Manufactured in a class 100,000 room environment
- Manufactured under ISO13485 and ISO9001 quality management system



## ELISA Plates

Cat. No.	Well Qty.	Binding Capacity	Description	Packaging Configuration
FEP101896	96 well	High Binding	Detachable, 8 wells strip x12	10/bag/box, 20 boxes/case
FEP101296	96 well	High Binding	Detachable, 12 wells strip x8	10/bag/box, 20 boxes/case
FEP100012	12 well	High Binding	12 wells strip	40/bag, 1600/case
FEP100008	8 well	High Binding	8 wells strip	60/bag, 2400/case
FEP201896	96 well	Medium Binding	Detachable, 8 wells strip x12	10/bag/box, 20 boxes/case
FEP201296	96 well	Medium Binding	Detachable, 12 wells strip x8	10/bag/box, 20 boxes/case
FEP200012	12 well	Medium Binding	12 wells strip	40/bag, 1600/case
FEP200008	8 well	Medium Binding	8 wells strip	60/bag, 2400/case

## ELISA Plates

### Description

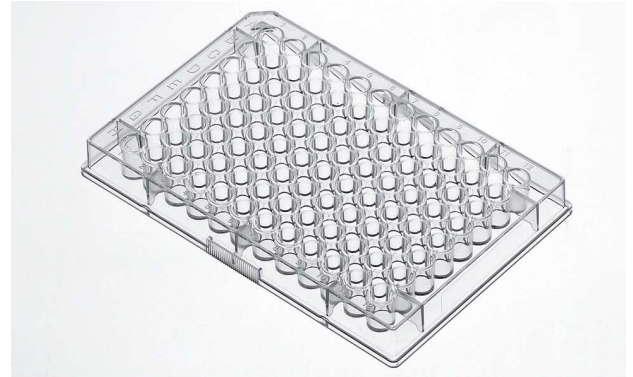
ELISA Plates, 96 well, Fixed Flat Bottom

### Purpose

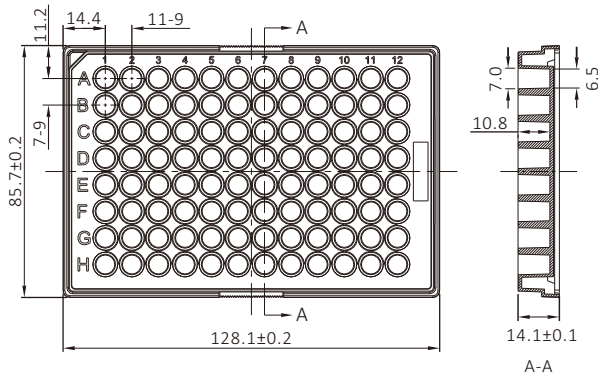
ELISA Plates are optimal products for ELISA and provide reliable performance in binding assays when consistent coating of wells is required

### Materials

Plate: GPPS (General Polystyrene)



### Dimensions (Unit: mm)



### Features

- Available with 2 different protein binding capability well surface
- Well surface is uniform, smooth and free from striation to eliminate error
- CV of transmittance is less than 5.00%
- Wells are labeled with alphanumeric code for easy identification
- DNase/RNase free and non-pyrogenic
- Sterilized by irradiation SAL10<sup>6</sup> (ISO11137)
- Shelf Life: 3 years after month of production
- Manufactured in a class 100,000 room environment
- Manufactured under ISO13485 and ISO9001 quality management system



## ELISA Plates

Cat. No.	Well Qty.	Binding Capacity	Description	Packaging Configuration
FEP100096	96 well	High Binding	Fixed Flat Bottom	10/bag/box, 20 boxes/case
FEP200096	96 well	Medium Binding	Fixed Flat Bottom	10/bag/box, 20 boxes/case